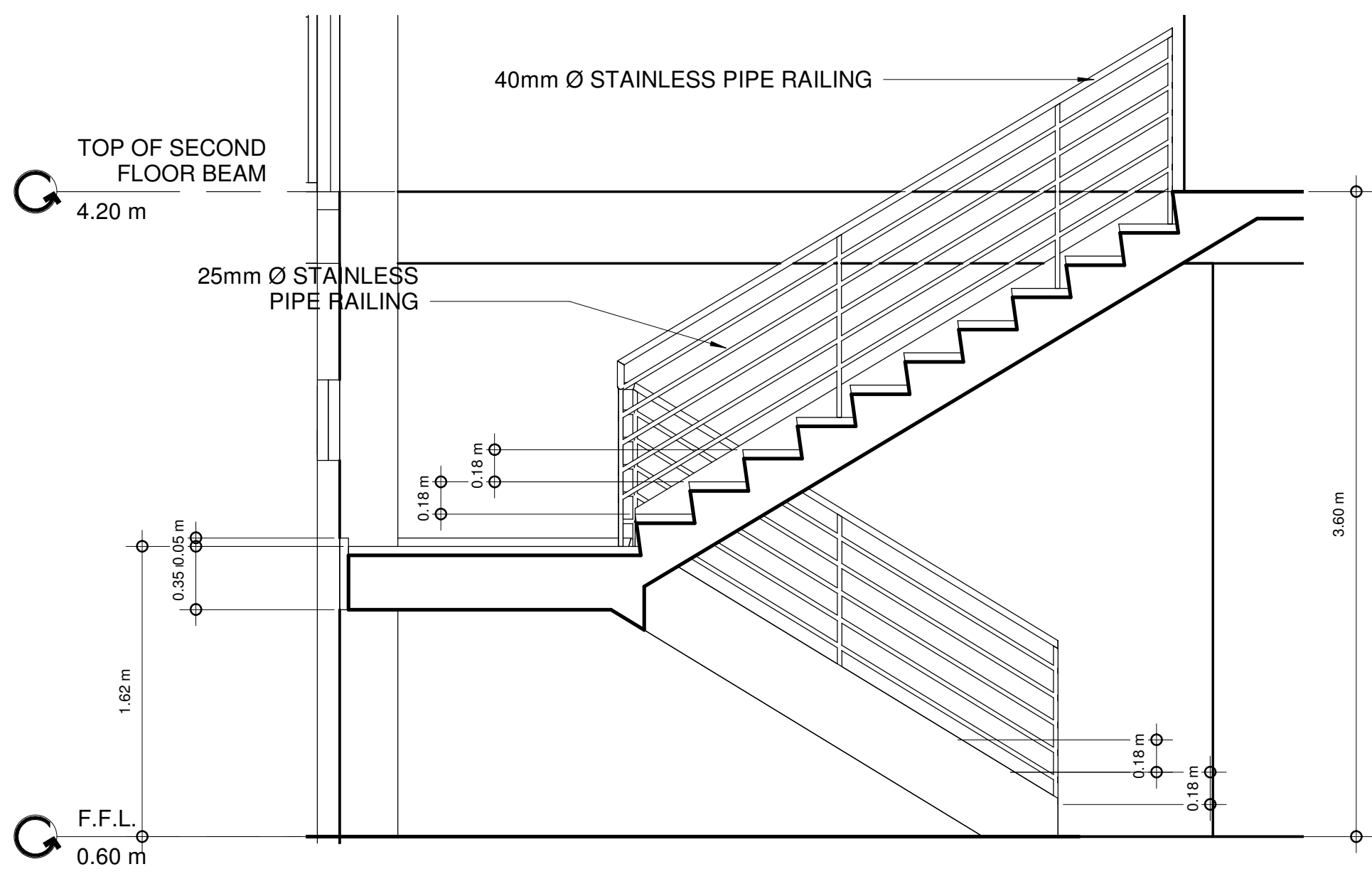
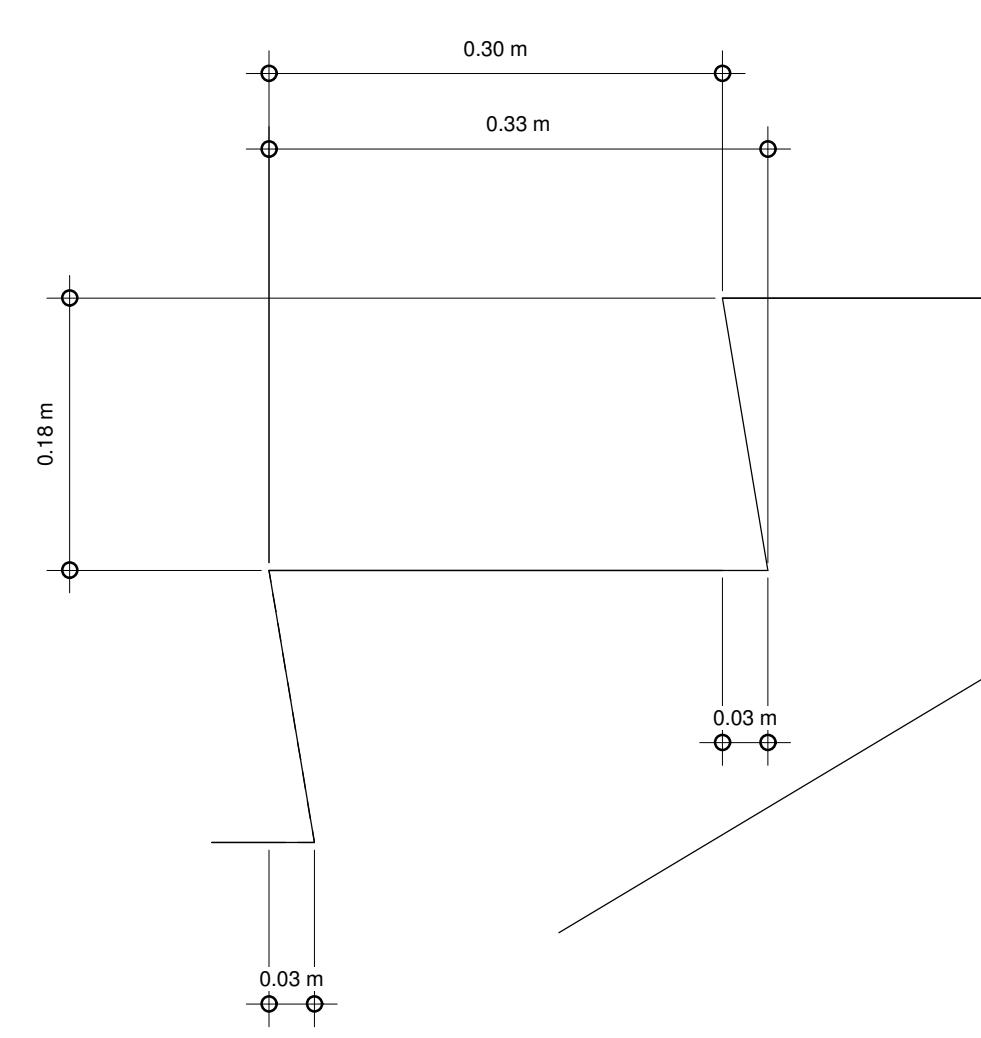


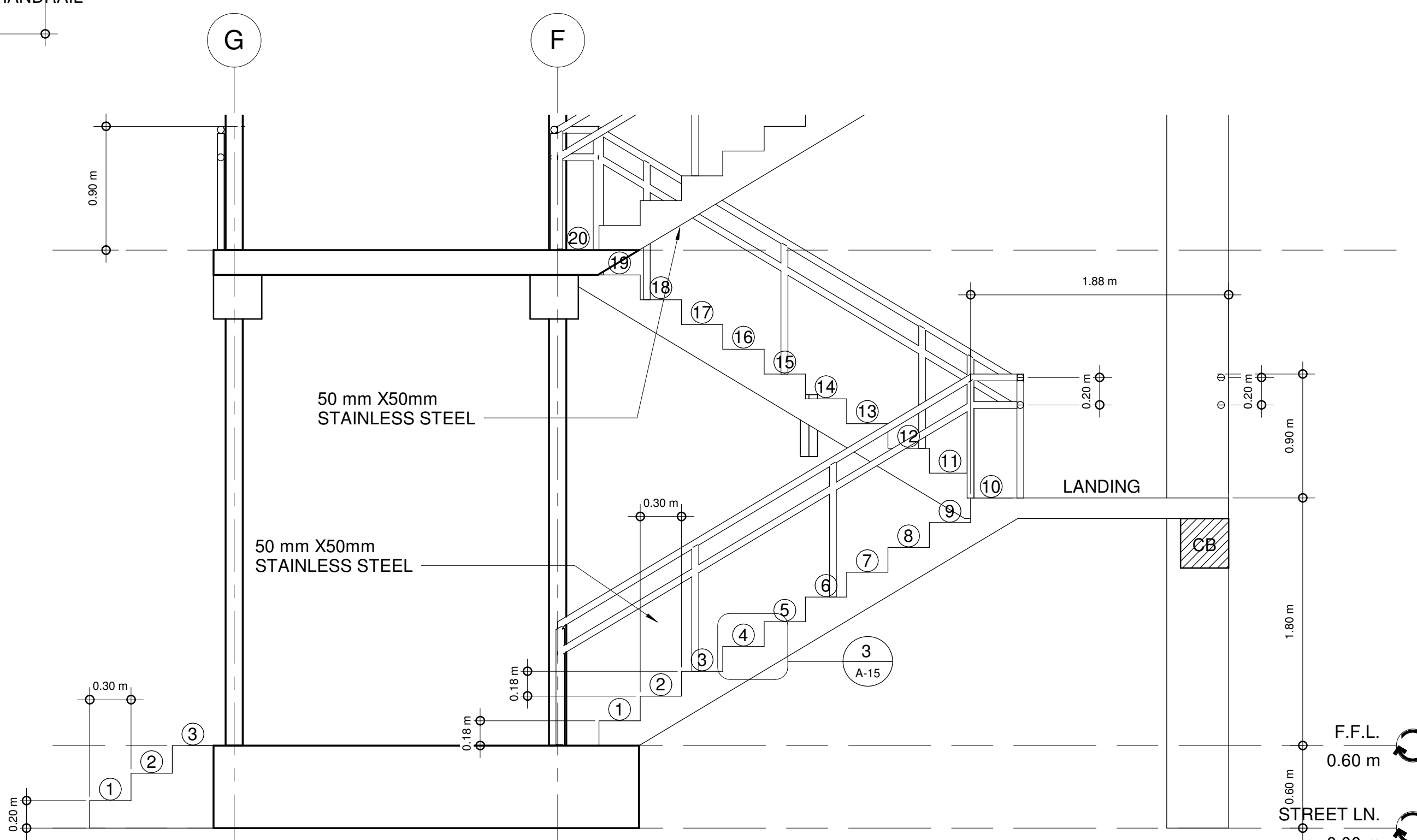
**1 STAIR PLAN**  
1 : 30 meters



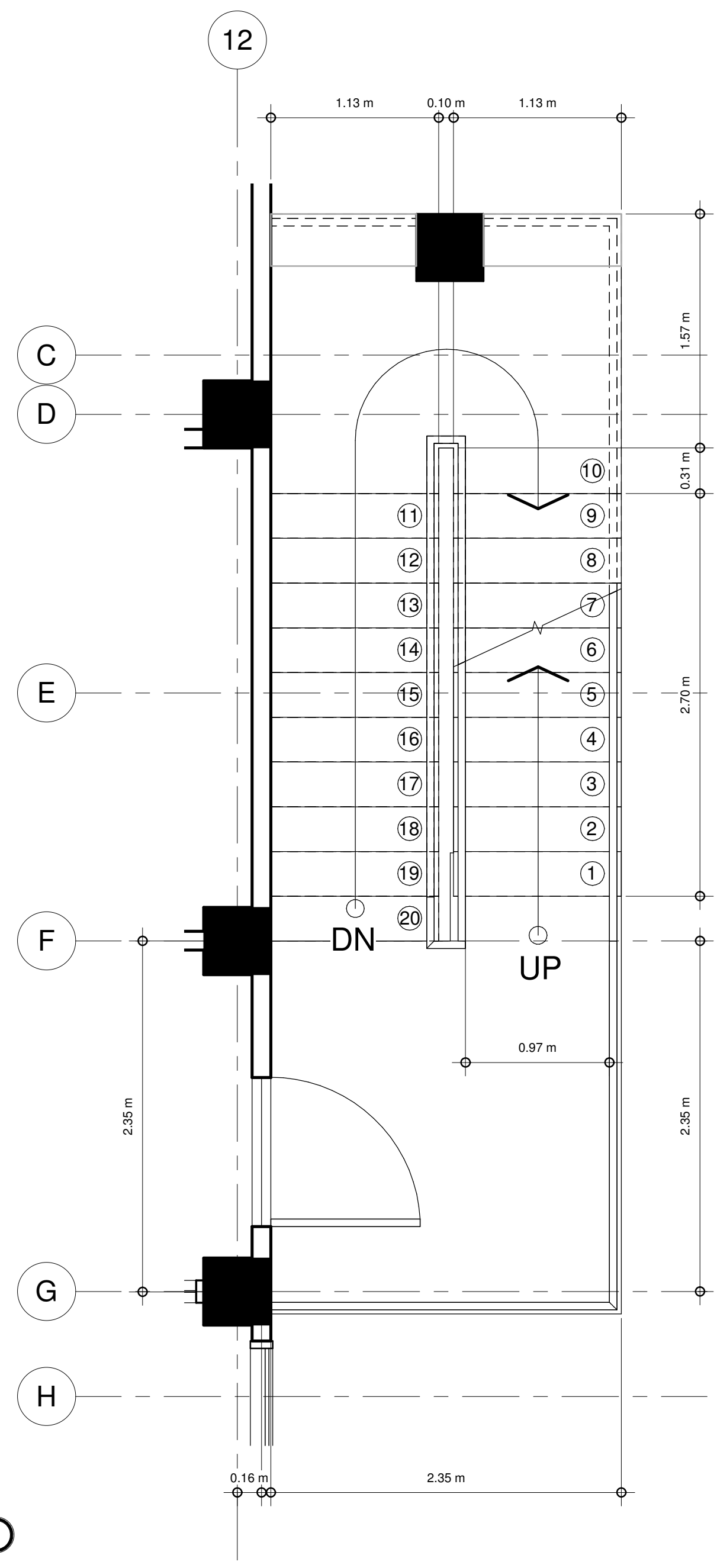
**2 SECTION THRU STAIR**  
1 : 30 meters



**3 STAIR NOSING DETAIL**  
1 : 5 meters



**4 SECTION OF FIRE EXIT STAIR**  
1 : 30 meters



**5 FIRE EXIT STAIR PLAN**  
1 : 30 meters



<b>PHYSICAL PLANNING AND DEVELOPMENT OFFICE</b> 2/F ADMINISTRATION BLDG. MARIANO MARCOS STATE UNIVERSITY CITY OF BATAK, 2906 ILOCOS NORTE TELEFAX: +63 (77)792-3191	<b>BJAY A. DAYANG</b> DRAFTSMAN I	<b>AIDAY. CABANG</b> ARCHITECT	<b>CONSTRUCTION OF RDE BUILDING PHASE III</b>	<b>AIDAY. CABANG</b> ARCHITECT IV, CHIEF PHYSICAL PLANNING SECTION	<b>BJORN S. SANTOS</b> DIRECTOR, RESEARCH	STAIR PLAN SECTION THRU STAIR STAIR NOSING DETAIL SECTION OF FIRE EXIT STAIR FIRE EXIT STAIR PLAN	SHEET NO: <b>A-15</b> 15   16
	<b>PHILIP P. PADRE</b> ENGINEER I	PRC NO.: 12274 PTR: 0147662 PLACE ISSUED: CITY OF BATAK DATE: JANUARY 06, 2022 TIN: 284-723-161		<b>ROMEO R. DULDUALO</b> DIRECTOR, PPDO	<b>SHIRLEY C. AGRUPIS</b> UNIVERSITY PRESIDENT		